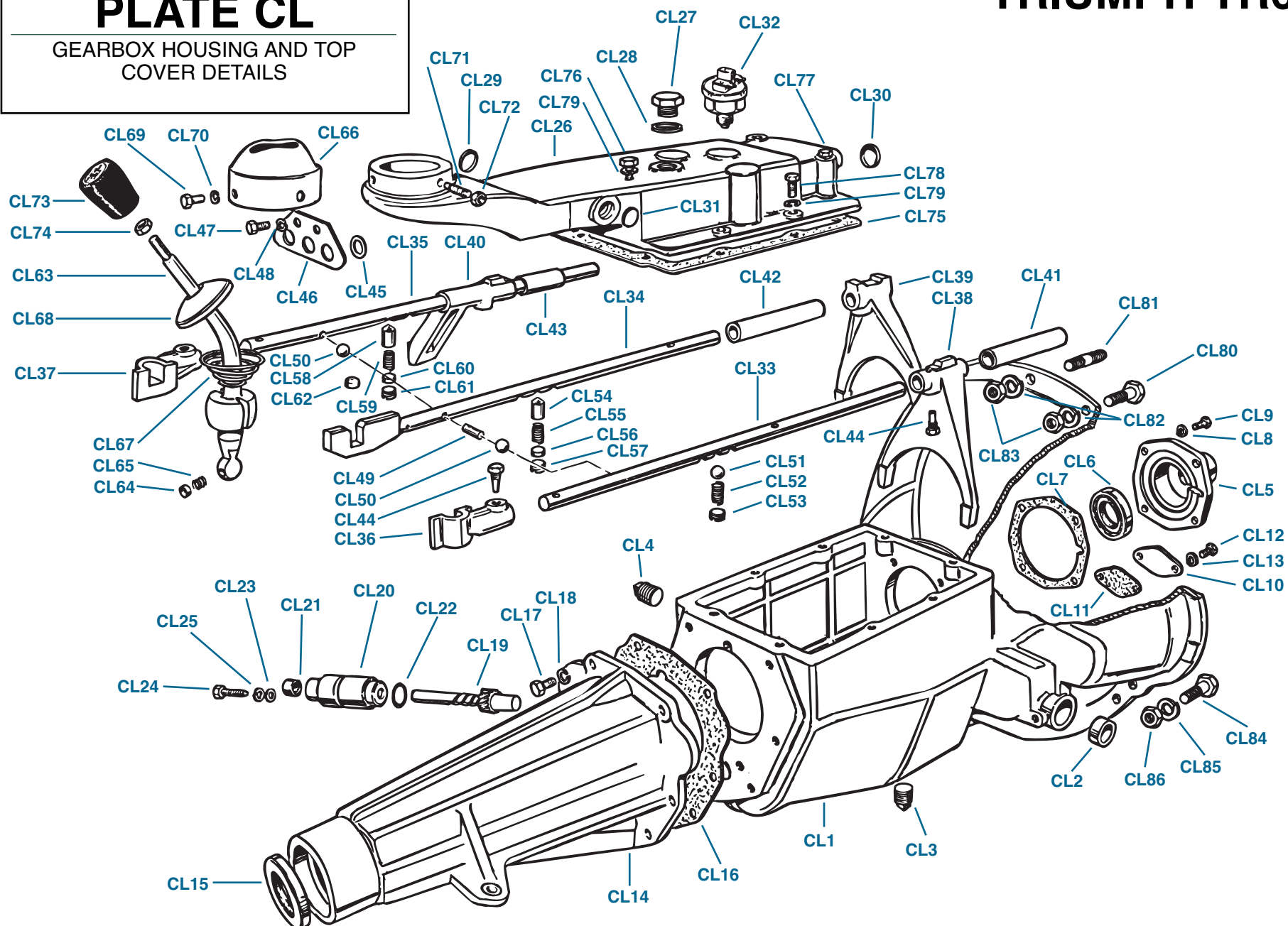


# PLATE CL

## GEARBOX HOUSING AND TOP COVER DETAILS



## GEARBOX HOUSING AND TOP COVER DETAILS

Plate No.	Part No.	Description	No. Off	Plate No.	Part No.	Description	No. Off
		<b>SELECTOR SHAFT SLEEVES</b>				<b>GEARSHIFT LEVER DETAILS</b>	
CL41	128063	Sleeve, 1st and 2nd selector shaft	1	CL63	148095	Gearshift Lever Assembly	1
CL42	117811	Sleeve, 3rd and 4th selector shaft	1	CL64	112424	Plunger, anti-vibration, in ball end	1
CL43	129779	Sleeve, reverse selector shaft, earlier top covers	1	CL65	137988	Spring, loading plunger	1
CL44	122653	Screw, taper, securing selectors and forks	5	CL66	140816	Cap, gearshift lever, fitted up to comm. no. CF1	1
		<b>SELECTOR SHAFT SEALING DETAILS</b>				Cap, gearshift lever, fitted after comm. no. CF1	1
CL45	106050	Ring, sealing, selector shaft	3	CL67	145796	Spring, under cap, fitted up to early 1973	1
CL46	106051	Plate, cover, over sealing rings	1		158914	Spring, under cap, fitted after early 1973	1
		<b>HARDWARE</b> , securing cover and rings to top cover		CL68	112442	Retainer, spring	1
CL47	HU704	Screw, set	2			<b>HARDWARE</b> , securing gearshift lever cap to top cover	
CL48	WL207	Washer, lock	2	CL69	HU703	Screw, set	1
		<b>INTERLOCK DETAILS</b>		CL70	WL207	Washer, lock	1
CL49	105788	Plunger, interlock, fitted in center selector shaft	1	CL71	141984	Pin, locating gearlever, fitted earlier	2
CL50	BL24	Ball, interlock, fitted in top cover between selector shafts	2		156408	Pin, locating gearlever, fitted later	2
		<b>DETENT DETAILS-Selector Shafts</b>			160190	Pin, locating gearlever, used with overdrive steady bracket	2
		<b>1ST/2ND SELECTOR SHAFT</b> , fitted up to gearbox no. CD23951		CL72	JN2108	Nut, jam, locking pins	2
CL51	BL24	Ball, detent	1			<b>Please Note:</b> A coating of grease between the gearshift lever cap and the top cover will control the corrosion caused by dissimilar metals, which can sometimes make the gearshift lever cap hard to remove.	
CL52	101236	Spring, detent	1			<b>Knob</b> , gearshift lever, U.S.A. (Black leather knob with silver shift emblem.)	1
CL53	108166	Plug, screwed, retaining ball and spring	1		148870	<b>Knob</b> , gearshift lever, all markets except U.S.A. fitted up to commission no. CP53853	1
		<b>1ST/2ND SELECTOR SHAFT</b> , fitted after gearbox no. CD23951			131246	<b>Knob</b> , gearshift lever, all markets except U.S.A., fitted after commission no. CP53853	1
	BL24	Ball, detent	1		156138	<b>Knob</b> , gearshift lever, U.S.A. (Black leather knob with silver shift emblem.)	1
	155632	Spring, detent	1	CL74	508422	Nut, jam, securing knob	1
	108166	Plug, screwed, retaining ball and spring, fitted earlier	1		506157	Nut, jam, securing knob, apparently an alternative to 508422	1
	156665	Plug, pressed-in, retaining ball and spring, fitted later	1			<b>GASKET AND HARDWARE</b> , securing top cover to gearbox housing	
		<b>3RD/4TH SELECTOR SHAFT</b> , fitted up to gearbox no. CD22093		CL75	105758	Gasket	1
CL54	106481	Plunger, detent	1	CL76	HB873	Bolt, 2 7/8-inches long	2
CL55	106489	Spring, detent	1	CL77	HB872	Bolt, 2 3/4-inches long	2
CL56	109401	Piece, distance	1	CL78	56370	Screw, set	4
CL57	108166	Plug, screwed, retaining plunger, spring and distance piece	1	CL79	WL208	Washer, lock	8
		<b>3RD/4TH SELECTOR SHAFT</b> , fitted after gearbox no. CD22093				<b>HARDWARE</b> , securing gearbox assembly to engine	
	BL24	Ball, detent	1	CL80	HB811	Bolt	8
	155632	Spring, detent	1	CL81	139836	Stud	3
	108166	Plug, screwed, retaining ball and spring, fitted earlier	1	CL82	WL208	Washer, lock	11
	156665	Plug, pressed-in, retaining ball and spring, fitted later	1	CL83	HN2008	Nut	11
		<b>REVERSE SELECTOR SHAFT</b>		CL84	132872	Bolt, dowel	2
CL58	136990	Plunger, detent	1	CL85	WL209	Washer, lock	2
CL59	106489	Spring, detent	1	CL86	HN2009	Nut	2
CL60	109401	Piece, distance	1			<b>GEARBOX GASKET SET</b> , comprising:	1
CL61	108166	Plug, screwed, retaining plunger, spring, and distance piece, fitted earlier	1		515121	Front Cover Gasket	1
					59537	Countershaft Cover Plate Gasket	1
CL62	156665	Plug, pressed-in, retaining plunger, spring, and distance piece, fitted later	1		55774	Top Cover Gasket	1
					105758	Rear Extension Gasket	1
					132465	Gasket between A-type overdrive unit and adaptor plate	1
					502556	Gasket, between J-type overdrive unit and adaptor housing	1
					37H1901		
						<b>REAR ENGINE (GEARBOX) MOUNTING DETAILS</b>	
						(See Section AG.)	